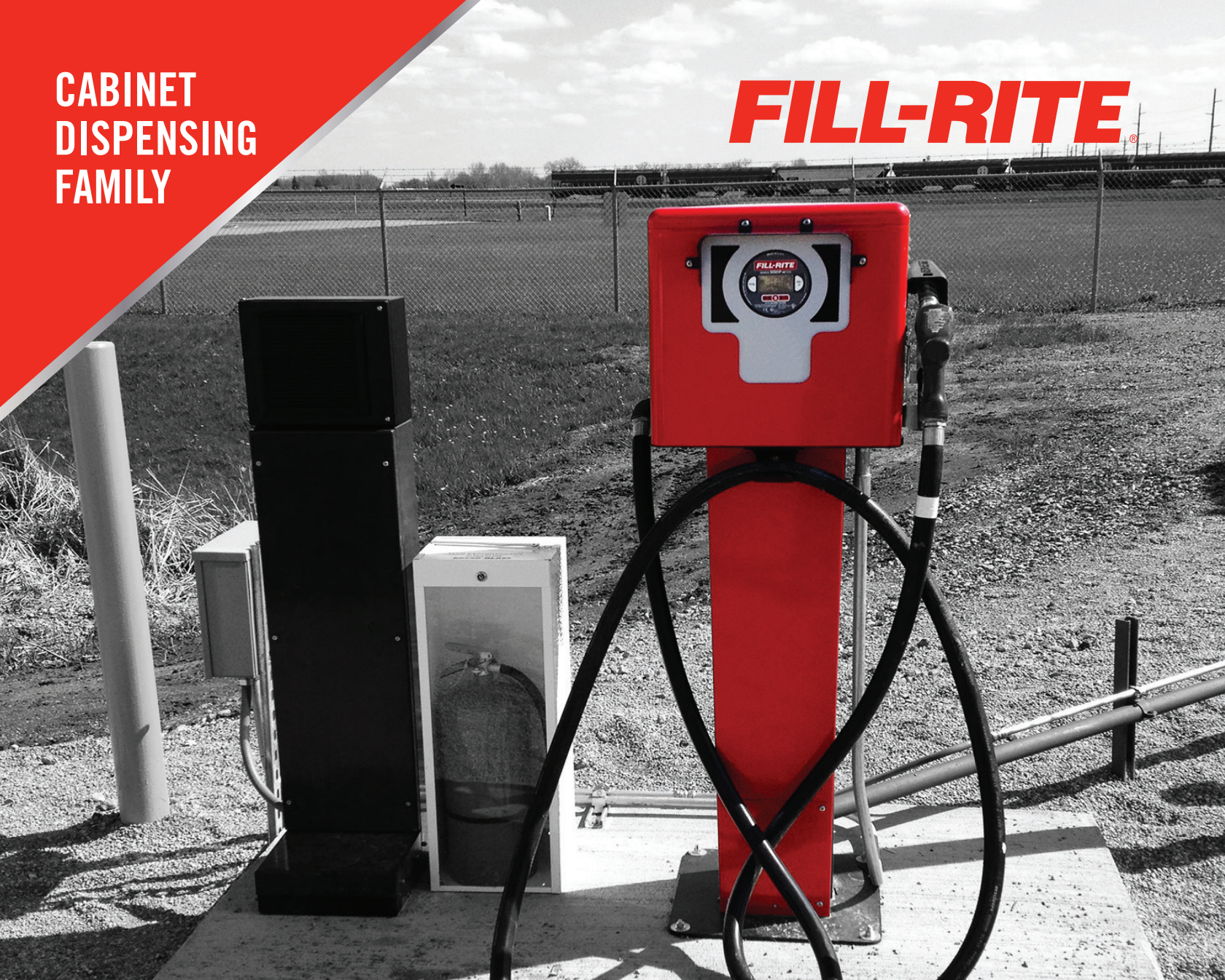


**CABINET  
DISPENSING  
FAMILY**

**FILL-RITE®**



**LEGENDARY QUALITY.**

**FILL-RITE® CABINET METERS**

**SUPERIOR PERFORMANCE.**

CABINET DISPENSING PRODUCT BROCHURE

**GR**  
GORMAN-RUPP  
COMPANY

# CABINET DISPENSERS

Fill-Rite's cabinet meters provide a fuel dispensing solution for virtually every application. The Fill-Rite® legacy of rugged durability and pride in workmanship are clearly evident in this line.

The **FR902DPU** integrate the 900CDP digital meter for applications needing electronic pulse capability. This model is an excellent choice for fuel management systems.

The **FR102PHU** provides clean, simple remote switching for a pump, convenient hose storage, and a heavy duty nozzle boot.



FR902DPU\*

FR102PHU

\*Pedestal Kit (KITPD) sold separately

## FEATURES & OTHER BENEFITS

- Modular components for installation flexibility
- Easy upgrades from pedestal only to wall or tank mount
- Weights and measures accuracy models available
- Plug and play electronics
- Easy connection to FMS
- Meter models include safety barrier
- Remote metering
- Durable powder coated finish provides added protection from the elements on your meter
- Integrated hammer arrestor
- Large selection of accessories to compliment cabinet

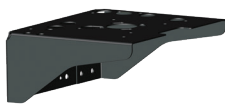
LEGENDARY QUALITY. SUPERIOR PERFORMANCE.

## PRODUCT SPECIFICATIONS

	FR102PHU	FR902DPU*
<b>DESCRIPTION</b>	Remote Pedestal Nozzle Hook	900CDP Cabinet
<b>FLOW</b>	Depends on Pump and Nozzle	Up to 40 GPM/151 LPM
<b>PRESSURE</b>	50 psi/3.4 bar	50 psi/3.4 bar
<b>POWER</b>	115/230V input	115/230V input
<b>PUMP</b>	No	No
<b>METER</b>	No	900CDP Nutating Disk
<b>INLET</b>	1" NPT	2" NPT
<b>OUTLET</b>	1" NPT	1" NPT
<b>HAMMER ARRESTOR</b>	No	Included
<b>ELECTRONICS</b>	No	4 Digit 900CDP Meter
<b>SECURITY SOLENOID</b>	Included	Included
<b>REPEATABILITY</b>	N/A	+/-0.25%
<b>LINEARITY/ACCURACY</b>	N/A	+/-1.25%
<b>FIELD CALIBRATION</b>	N/A	Yes
<b>NOZZLE BOOT</b>	Standard	Standard/Universal on UL version
<b>UL/CUL</b>	Yes	Yes

\*Optional wall mounting bracket (KITMB) or pedestal kit (KITPD) sold separately.

### Optional Accessories:



Wall Mounting Bracket  
(KITMB)



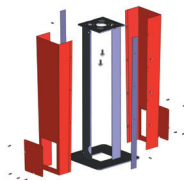
Ultra Hi-Flow Nozzle  
(N100DAU13)



1" x 20" Hose  
(FRH10020)



Digital Flow Meter  
(900CD)



Pedestal Mounting Kit  
(KITPD)  
(Included with FR102PHU)



1" Screw on  
Filter Head  
(700ACCF7017)



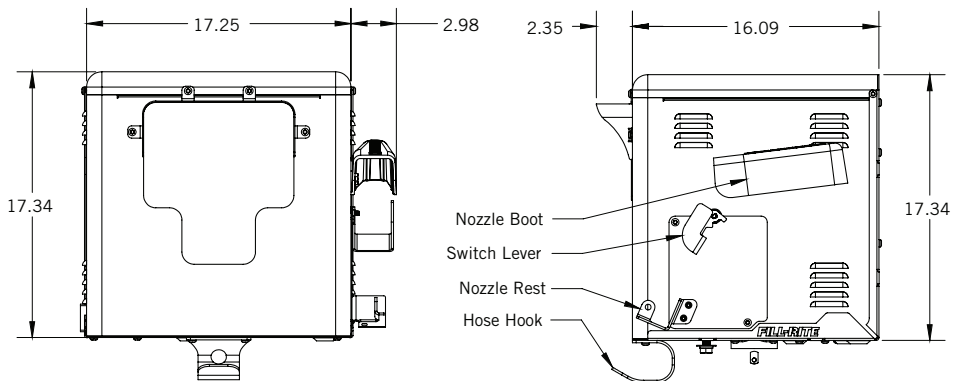
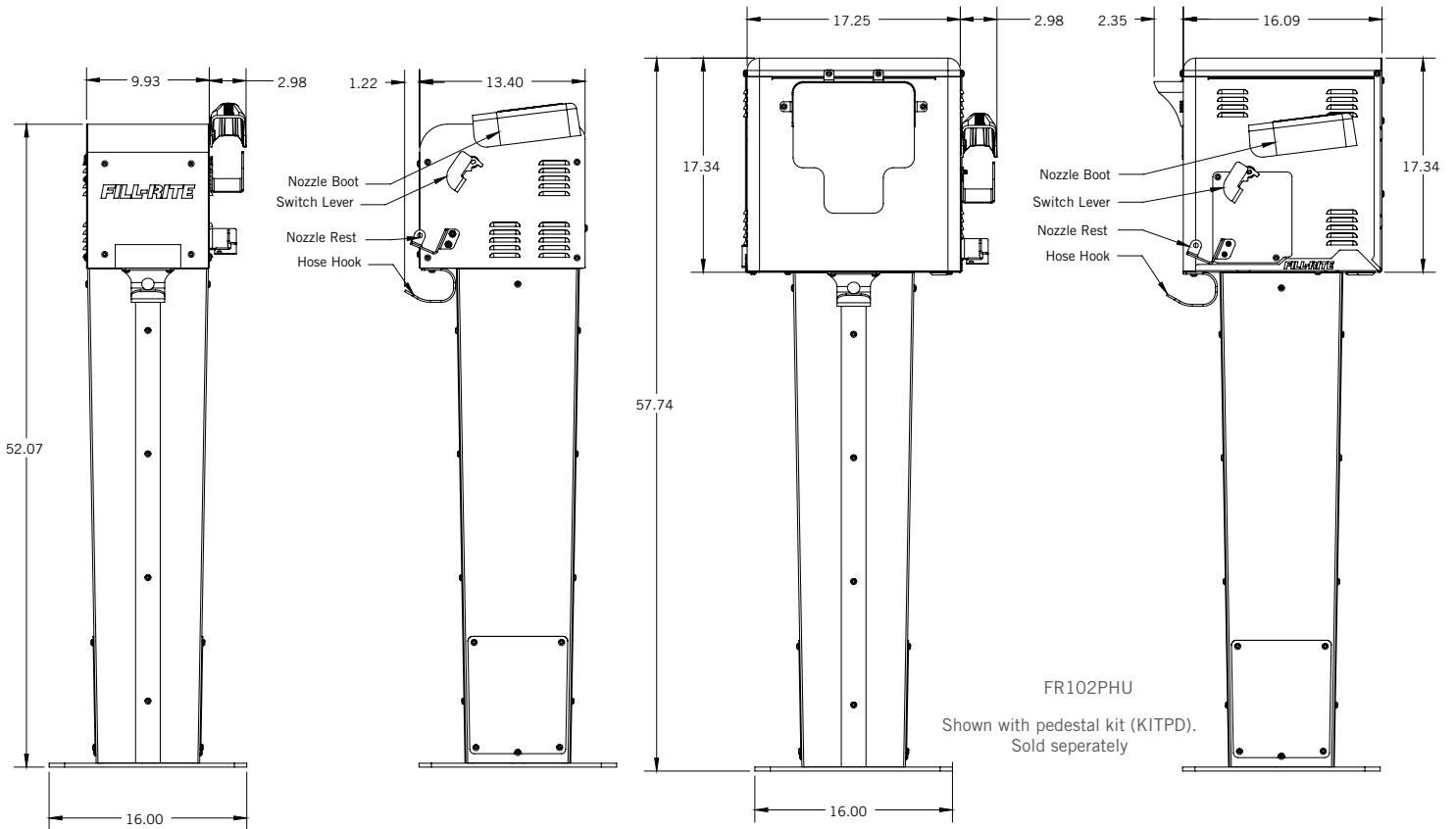
30 Micron  
Particulate Filter  
(F4030PM0)



1" Multi-Plane Swivel  
(S100H1315)

# CABINET DISPENSERS

## DIMENSIONS



FRCABSBy.1



CUSTOMER SUPPORT: (800) 634-2695  
TECHNICAL SUPPORT: (260) 747-7524

[FILLRITE.COM](http://FILLRITE.COM)

